

WIRELESS MIC PGX SERIES

Item # 1084

845.226.2447

INSTRUCTIONS:

Connect receiver to an outlet. Add batteries to transmitter and/or microphone. Scan for a clear channel on receiver and power up microphone. Hit the sync button both on the receiver and microphone.



POWER REQUIREMENTS:

120 v outlet

(2) AA batteries



SPACE REQUIREMENTS:

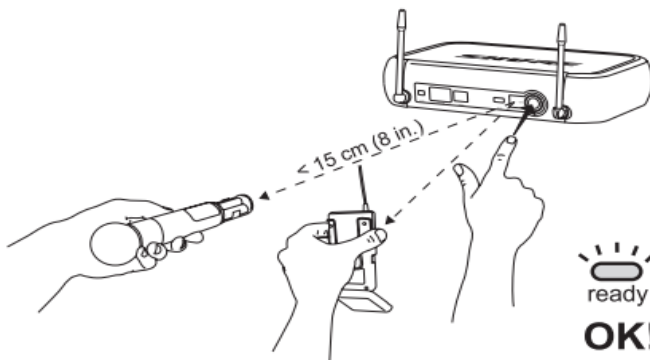
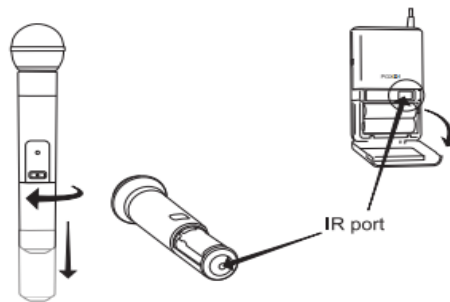


OPTIONAL EQUIPMENT:

Speakers, mic stand



OTHER REQUIREMENTS:



Visit our website or click below for [full instructions](#)